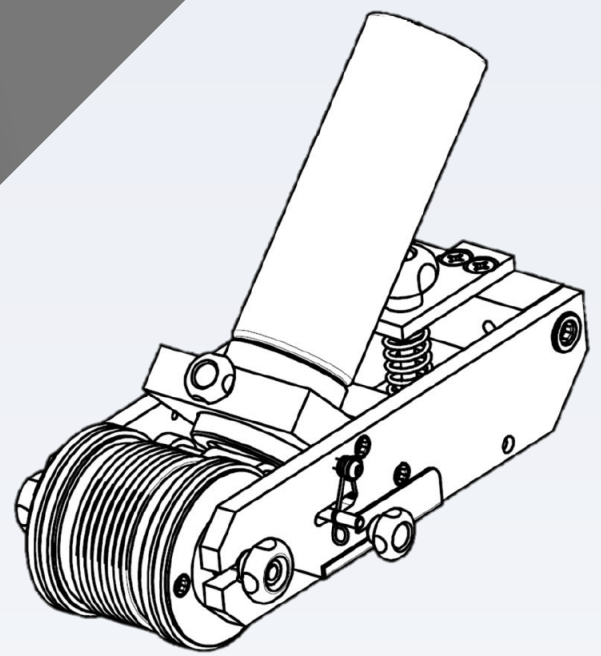


FOENIX CODAPRINT

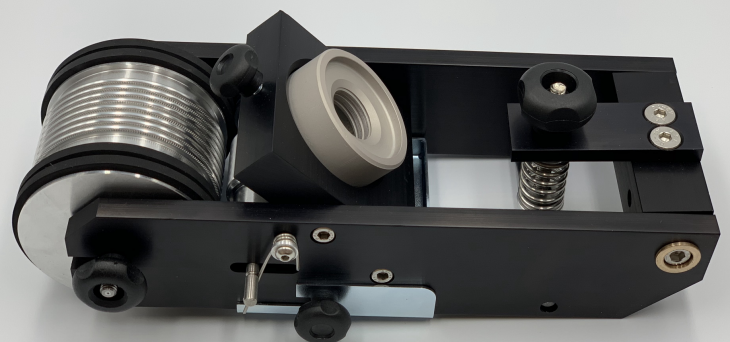
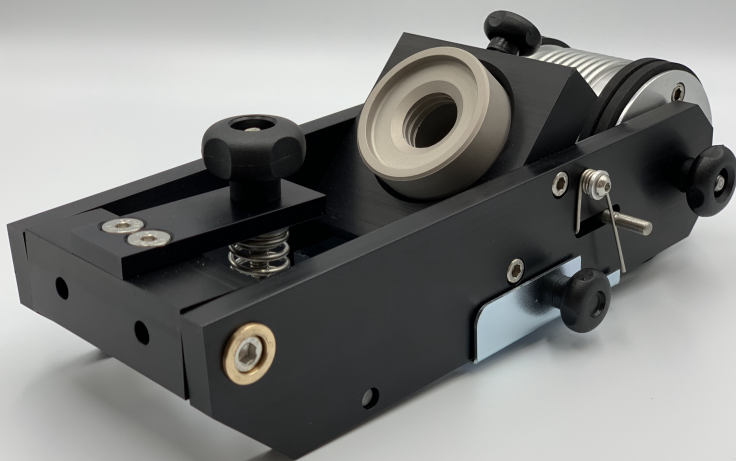
Continuous Printing
on **ALL** Material



Foenix Codaprint

A simple printer to continuously print your product at high speed using fast drying sealed ink cartridges

- ✓ Print on any surface including: plastic, glass, metal, paper, board
- ✓ Uses a sealed ink cartridge with fast drying ink
- ✓ Uses interchangeable baselock type or flat stereos
- ✓ Print speeds up to 100 meters/minutes
- ✓ Cartridge replaced in seconds
- ✓ Printing never fades
- ✓ Special inks available on request
- ✓ Most robust printer on the market
- ✓ Colour change in seconds
- ✓ Will print immediately even when unused for several days
- ✓ Simple to install and operate
- ✓ Automatic control of ink flow



Foenix Codaprint

 Continuous printing on **all** materials

Applications

The Codaprint is used to apply identification marks, use by dates, recycle logos, customer product names etc onto material which is continuously moving, or indexing, and where a repeat print is required. Some typical applications are on extruded film, bag printing, steel sheets, plastic window extrusions, shrink wrap film, cardboard core windings, Gypsum board, edge pack board, backs of mirrors and paper.

Simple to install

The Codaprint is easily mounted on a fixed bar across the material to be marked. Vertical adjustment on the unit gives print on/off positions. The printer is driven by frictional contact between the rubber tyres on the type drum, and the material.

Inks

Ink Cartridges are available in a range of ink types and colours to suit most surfaces. We can advise you on the most suitable range for your product.

Choice of print

The standard Codaprint type drum is fitted with metal locking rings for use with Baselock interchangeable rubber type. Baselock is available in many character styles and customised logos, to enable a quick change of print.

Transfer Pads

The Codaprint ink cartridge head should be fitted with a complete set of transfer pads each time a new ink cartridge is used.

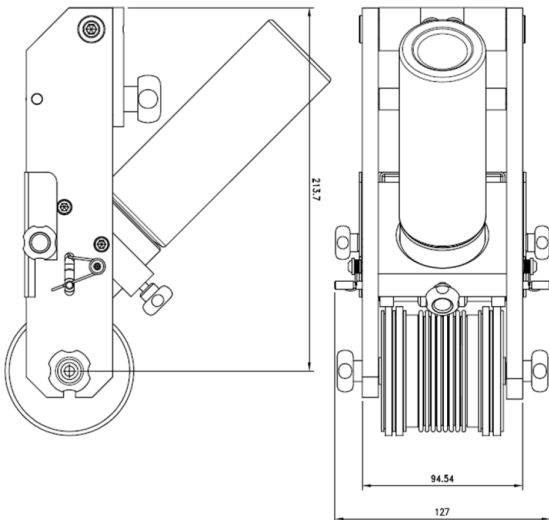
- **TPS030:** For Minimum ink flow
- **TPS060:** For Maximum ink flow

Handroller

The Codaprint hand roller is for manual printing onto all surfaces with the same range of fast drying inks.



Measurements



Codaprint Printer Specification

Model CP-24/1

- Print Length: 240mm
- Print Height: 25mm

CP-17/B Handroller

- Print Length: 175mm
- Print Height: 25mm

Codaprint Cartridges

- **CP111** Black Standard Dye ink for non porous material
- **CP011** Black Extra fast drying dye ink for high speed non porous material
- **CP5610** Black Dye ink for porous surfaces
- **CP256** White Pigmented ink for dark coloured surfaces, porous and non porous material.

A selection of colours is available in each range

www.foenixcoding.com



The Barns - Hilltop Farm
Lyne Lane | Lyne | Chertsey
Surrey | KT16 0AW
United Kingdom

T: +44 (0)1932 701 449
E: sales@foenixcoding.com

