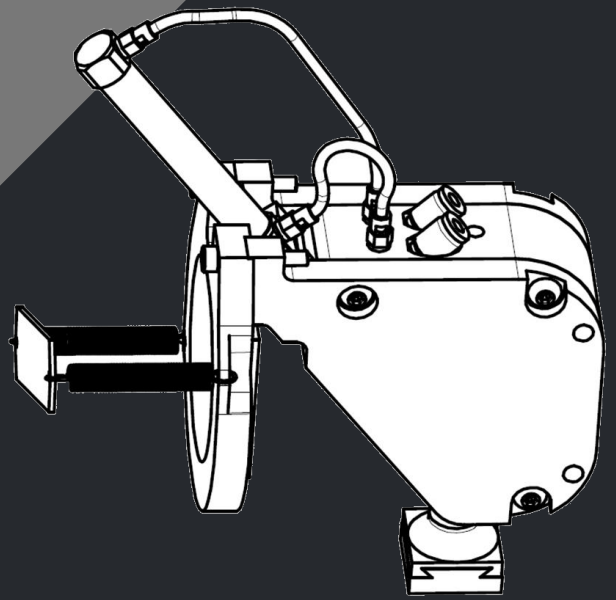


FOENIX CODMARK

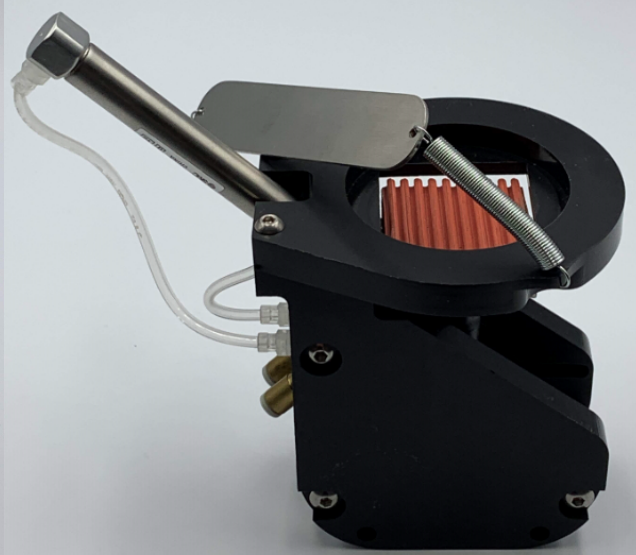
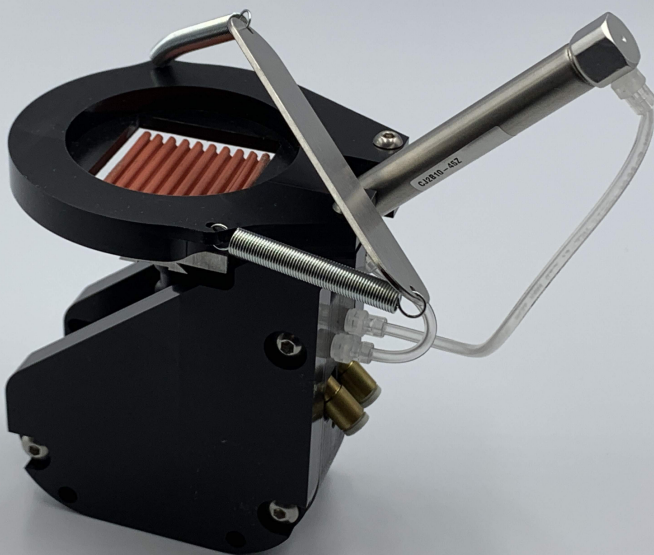
Multi-purpose
price & code printer



Foenix Codamark

Clear and precise product marking achieved efficiently and economically with the Codamark Pneumatic Reciprocating Printer.

- ✓ Efficient printing of sell-by dates, prices and codes onto:
 - Plastic tubs
 - Foil lids
 - Cartons
 - Form flow packs
 - Glass bottles
 - Metal cans, etc.
- ✓ Top, bottom or side mounting
- ✓ Automatic on-line or off-line systems
- ✓ Fast drying ink cartridges
- ✓ Made in the UK



Foenix Codamark Multi-purpose price & code printer

Printing with the light touch

High speeds can be achieved with a low print pressure of 10-20 psi enabling the Codamark to print with a light touch without product damage.

Clean inking system

A clean fast drying ink cartridge is fitted to the print head giving drying times of seconds on most surfaces. The sealed cartridge ensures the operator never touches any ink.

Codamark data sheets

Further information is available on data sheets giving dimensions, control systems and mounting positions.

Quick change Baselock type holders

The print head is fitted with a type holder that can be changed in seconds. Spare holders can be used to pre-set Baselock rubber type.

Codamark Cartridges

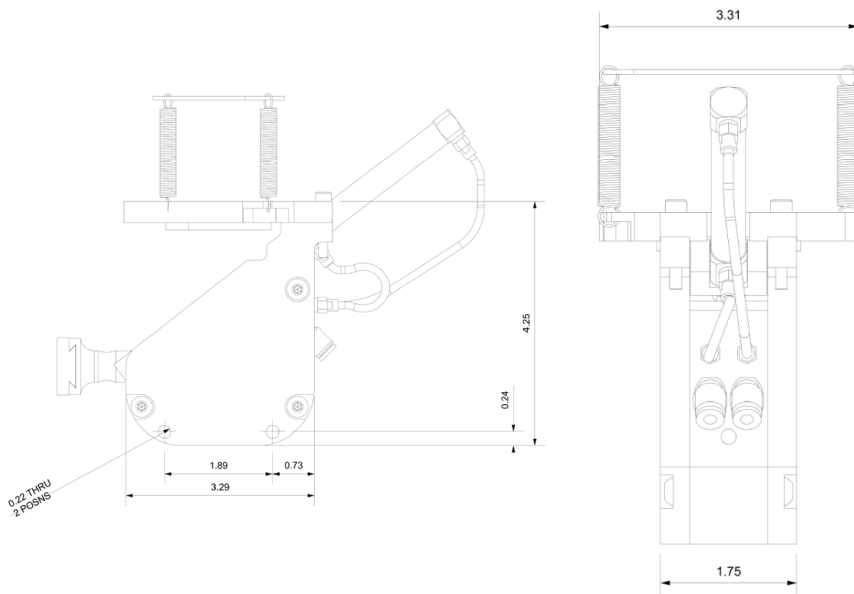
Small pots

- **CM501/38** Black Ink Cartridge
- **CM502/38** Red Ink Cartridges
- **CM503/38** Green Ink Cartridge
- **CM504/38** Blue Ink Cartridge
- **CM506/38** White Ink Cartridge
- **CM505/38** Yellow Ink Cartridge

Large pots

- **CM501/50** Black Ink Cartridge
- **CM502/50** Red Ink Cartridges
- **CM503/50** Green Ink Cartridge
- **CM504/50** Blue Ink Cartridge
- **CM505/50** Yellow Ink Cartridge
- **CM506/50** White Ink Cartridge

Measurements



Codamark Printer Specification

Model CM-MKV/25

- Print Area: 24mm x 24mm
- Print Head Outline Dimensions: 170mm x 155mm x 85mm

Model CM-MKV/38

- Print Area: 37mm x 37mm
- Print Head Outline Dimensions: 170mm x 155mm x 85mm

Model CM-MKV/50

- Print Area: 24mm x 48mm
- Print Head Outline Dimensions: 170mm x 155mm x 85mm

www.foenixcoding.com



The Barns - Hilltop Farm
Lyne Lane | Lyne | Chertsey
Surrey | KT16 0AW
United Kingdom

T: +44 (0)1923 701 449
E: sales@foenixcoding.com

